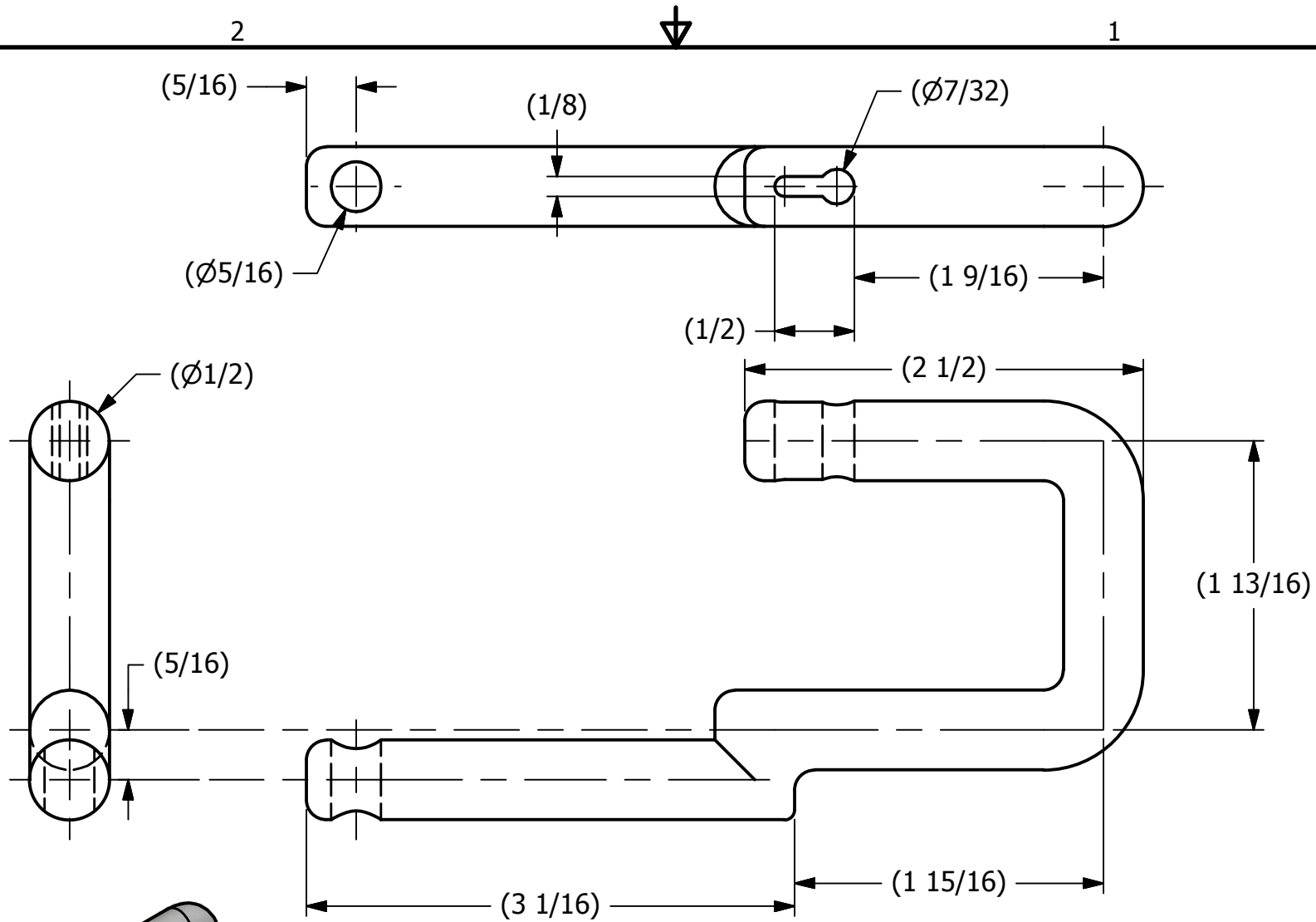


B

B

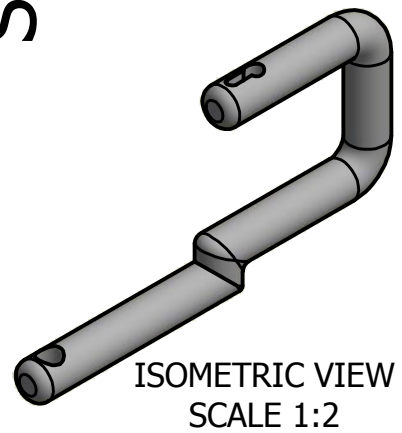
SALES DRAWING

SALES DRAWING



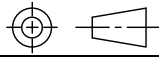
A

A



THIS PRINT, PROPERTY OF SALCO PRODUCTS INC, CONTAINS PROPRIETARY INFORMATION AND MUST NOT BE COPIED, REPRODUCED, OR USED DETRIMENTALLY TO OUR INTEREST.

UNLESS OTHERWISE SPECIFIED
DIMENSIONAL TOLERANCES
FRACTIONAL: $\pm 1/16$
X.XX: $\pm .03$
X.XXX: $\pm .015$
ANGULAR: $\pm 1^\circ$
DEBURR ALL SHARP EDGES.
ALL MACHINED SURFACES TO
HAVE A 125 RMS FINISH
UNLESS NOTED OTHERWISE.



DRAWN BY:	WEB
CHECKED BY:	CHL
PROTOTYPE BY:	WEB
PROTOTYPE DATE:	3/31/2016
APPROVED FOR PRODUCTION BY:	WRB
PRODUCTION DATE:	3/31/2016

A	WEB	3-31-16	RELEASED FOR PRODUCTION
REV	BY	DATE	DESCRIPTION
SALCO PRODUCTS, INC.			
PART NAME: LOCKING PIN MULTI HOUSING			
MATERIAL: ASTM A395 DUCTILE IRON			
PROJECT #:		SHEET #: 1 OF 1	SCALE: 1:1
DRAWING #: A43501		PART #: GA646-7	

2

1

1